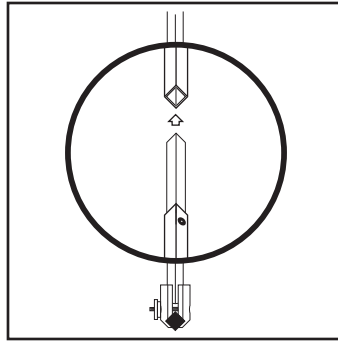


Step-by-step assembly instructions

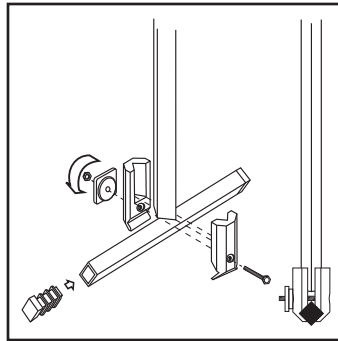
Step 1:

Assemble the vertical poles with the inserts on each side so as to form 2 long poles



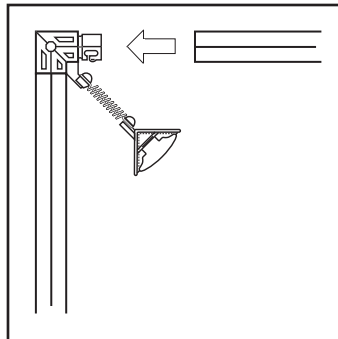
Step 2:

Connect legs with the long vertical poles and the T-clips. Screw the T-clip all the way to lock the legs securely on each side



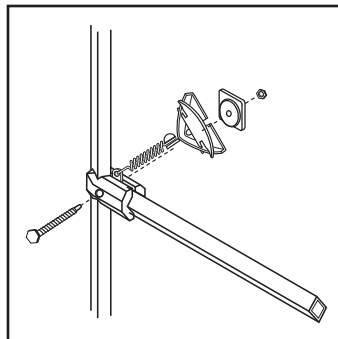
Step 3:

Connect the top part of the poles with the top horizontal tube using a corner clip on each side



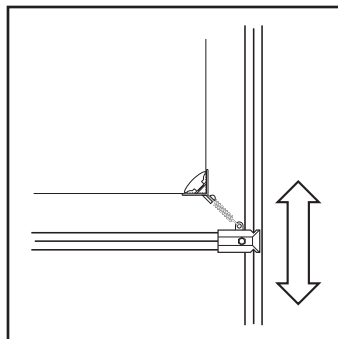
Step 4:

Connect the other horizontal tube using a T-clip with spring on each side



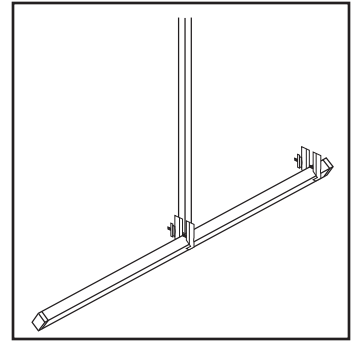
Step 5:

Grossly adjust the clips to fit poster height



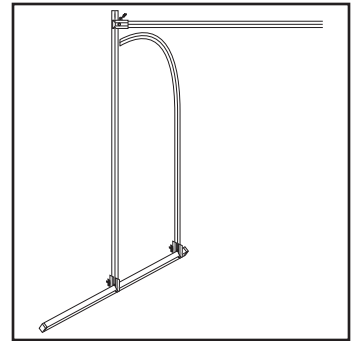
Step 6:

Place a loose T-clip to the back of each leg



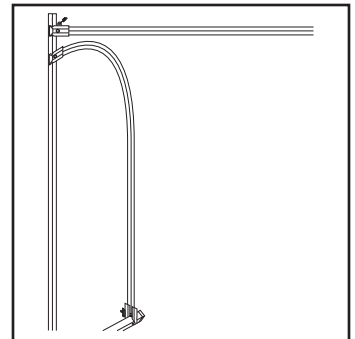
Step 7:

Connect a curved tube to each T-clip previously installed in step 6. Tighten the T-clips



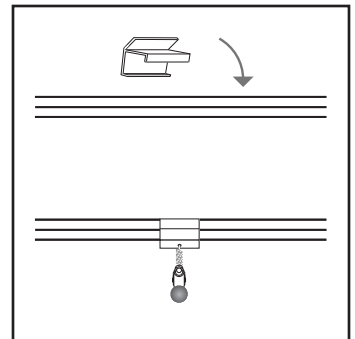
Step 8:

Place another T-clip on each vertical pole & attach it to the curved tube on each side. Tighten the clip securely



Step 9:

For better poster support, attach side clips in the center of each of the 4 sides in each unit. You are done assembling the unit



Step 10:

Delicately attach the top left poster corner with the clip. Attach the bottom right corner & the remaining 2. Attach all 4 side-clips

